

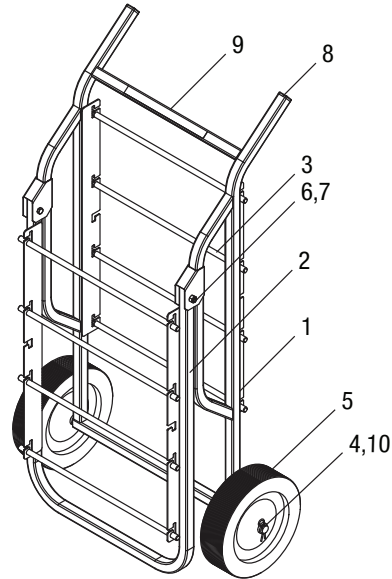
INSTRUCTION MANUAL



GREENLEE®

A Textron Company

9510 A-Frame Wire Cart



Specifications

Weight	46 lb (21 kg)
Length	47.49" (1206 mm)
Width	27.50" (699 mm)
Capacity	24 spools of 500' (152 m) 12 ga. wire or 16 spools of 500' (152 m) 10 ga. wire
Maximum Weight of All Spools.....	400 lb (181 kg)
Maximum Weight per Spindle	50 lb (23 kg)
Maximum Spool Diameter.....	7.5" (190 mm)
Maximum Total Spool Width per Spindle.....	17.5" (445 mm)

Parts List

Key	Part No.	Description	Qty
	50012142	A-frame wire cart	
1		Main frame.....	1
2		Pivot frame.....	1
3	50012070	Spool.....	8
4*		Axle, 3/4 x 27-1/2 rod	1
5*	90522850	Wheel, 10" x 2-3/4"	2
6		Bolt, 5/16-18 x 1.5	2
7		Nylock nut, 5/16-18	2
8		Plastic square plug, 1"	2
9		Decal, identification/warning	1
10		Pin, cotter	2


* Order service parts 50012088 (wheel) and 52047861 (axle) for earlier models of the 9510 cart.





Read and understand all of the instructions and safety information in this manual before operating or servicing this tool.

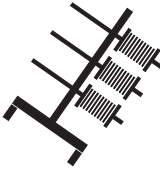
Register this product at www.greenlee.com


IMPORTANT SAFETY INFORMATION

	<h3 style="margin: 0;">SAFETY ALERT SYMBOL</h3>
<p>This symbol is used to call your attention to hazards or unsafe practices which could result in an injury or property damage. The signal word, defined below, indicates the severity of the hazard. The message after the signal word provides information for preventing or avoiding the hazard.</p>	
<h3 style="margin: 0;">⚠ DANGER</h3>	
<p>Immediate hazards which, if not avoided, WILL result in severe injury or death.</p>	
<h3 style="margin: 0;">⚠ WARNING</h3>	
<p>Hazards which, if not avoided, COULD result in severe injury or death.</p>	
<h3 style="margin: 0;">⚠ CAUTION</h3>	
<p>Hazards or unsafe practices which, if not avoided, MAY result in injury or property damage.</p>	

	<h3 style="margin: 0;">⚠ CAUTION</h3>
<p>Read and understand all of the instructions and safety information in this manual before operating or servicing this tool.</p>	
<p>Failure to observe this precaution may result in injury or property damage.</p>	

	<h3 style="margin: 0;">⚠ CAUTION</h3>
<p>Pinch points:</p>	
<p>Keep hands and feet clear when loading and unloading wire spools.</p>	
<p>Failure to observe this precaution may result in injury or property damage.</p>	

	<h3 style="margin: 0;">⚠ CAUTION</h3>
<p>Tipping hazard:</p>	
<ul style="list-style-type: none"> Load and unload sides equally. Load bottom spindles first, and unload top spindles first. Do not unreel wire when the dispenser is in the storage position. Place dispenser in the unfolded position for use. Do not store spools on the dispenser when it is in the folded, upright position. 	
<p>Failure to observe this precaution may result in injury or property damage.</p>	

	<h3 style="margin: 0;">⚠ CAUTION</h3>
<p>Do not use as a step or ladder.</p>	
<p>Failure to observe this precaution may result in injury or property damage.</p>	

<h3 style="margin: 0;">⚠ CAUTION</h3>
<ul style="list-style-type: none"> Make sure bystanders are clear of the work area when loading, unloading or dispensing wire. Nearby personnel can be injured if wire dispenser falls. Do not use the wire dispenser for wire with damaged spools. Damaged spools may not turn freely and may pull over the dispenser. Use only on a hard, flat, level surface. Do not exceed the rated capacity of this tool.
<p>Failure to observe these precautions may result in injury or property damage.</p>

<h3 style="margin: 0;">⚠ CAUTION</h3>
<p>Use this tool for manufacturer's use only. Use other than that which is described in this manual may result in injury or property damage.</p>

Note: Keep all decals clean and legible, and replace when necessary.

All specifications are nominal and may change as design improvements occur. Greenlee Textron Inc. shall not be liable for damages resulting from misapplication or misuse of its products.

® Registered: The color green for material handling equipment is a registered trademark of Greenlee Textron Inc.

KEEP THIS MANUAL